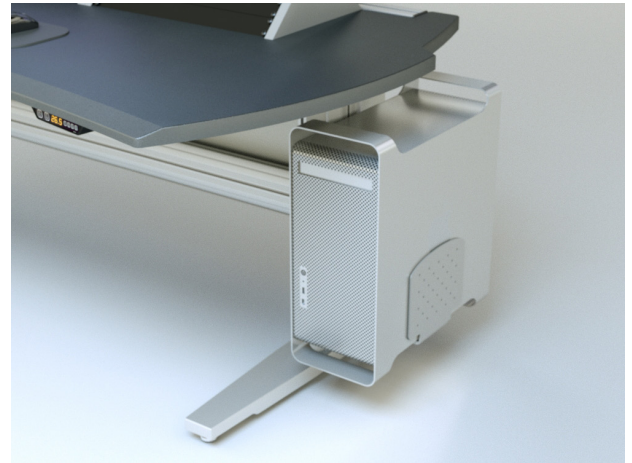




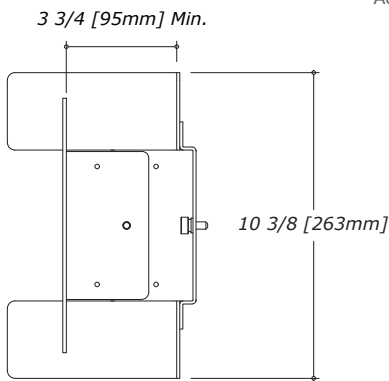
ST-CPU – CPU Holder

PRODUCT DESCRIPTION:

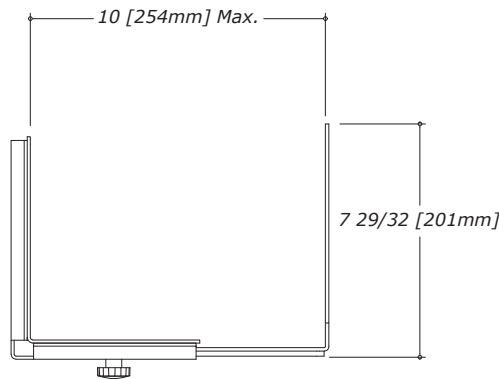
- Easily mounted and positioned
- Supports a single CPU up to 44.4 lbs (20.1kg)
- Keeps CPU and cables off the floor and out of the way
- Specifically engineered to work with all SmarTrac consoles
- Finish: Silver powdercoat



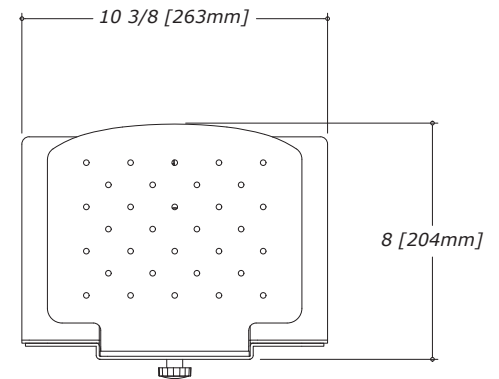
Adjusts to fit CPUs ranging from 3.375" [85.725mm] to 10" [254mm] wide.



PLAN VIEW



ELEVATION



SECTION

Note: If your device is under 6.5" then the extension plate can be easily removed for a snug fit.

