



FP-7500-WD Dual Flat Panel Display Arm

Product Description:

The FP-7500-WD is a dual articulating LCD mount.

The monitors can be positioned horizontally (side by side) or vertically (stacked one over another) and can be independently rotated.

Accommodates most monitors up to 24" widescreen.

Features:

18" of vertical range.

28" of horizontal range.

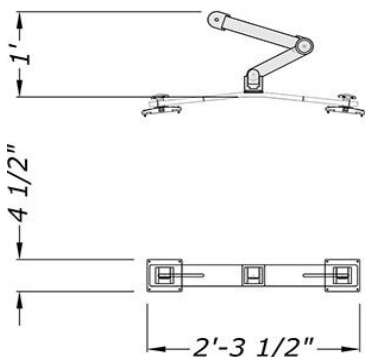
Arm rotates 360° at 3 joints.

Monitor tilt mechanism can tilt over 200°.

Adjustable tension at all joints - ideal for touch screen applications.

VESA-mount compatible

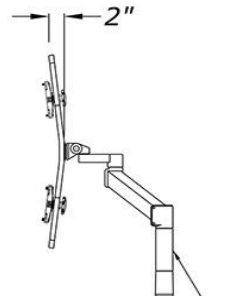
Optional 2" and 6" extender tube available to raise monitors. (see detail drawing below)



7500 DUAL WING ARM
USED HORIZONTALLY
w/ (2) 24" LCD's SHOWN



7500 DUAL WING ARM
USED VERTICAL
w/ (2) 24" LCD's SHOWN



2" EXTENSION CUP

6" EXTENSION CUP