



FP-9222 Flat Panel Display Arm

Position your monitor exactly where you want it; with fingertip control of both vertical and horizontal movement. The integral gas assist arm renders the monitor weightless.

The arm can fold to fit in about 5" of space and extend out over 16".

Unique cable management routes cables inside the arm for a clean installation.

Features:

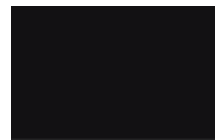
- Weight range 8 - 40 lbs.
- Standard 14" pole accommodates 15-32" LCDs. Difference size poles are available.
- Arm rotates 360° at 3 joints.
- Monitor tilt mechanism can tilt over 200°.
- Adjustable tension at all joints - ideal for touch screen applications.
- VESA-monitor compatible.
- Optional FP-FLEX allows the monitor arm to be directly mounted to the table top (no trac necessary).



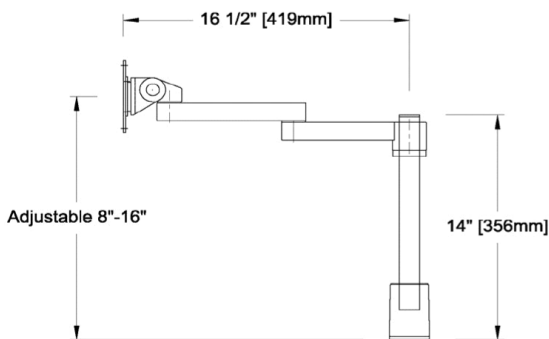
Note: Also available with a dual monitor arm or powder coated black



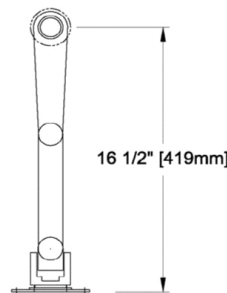
Silver
standard color



Black



Side View



Top View - Extended



top View - Folded