



AM175 Articulating Display Mount

Product Description:

The AM175 is a scissor-style, swingout mount for flat panel displays.

For use with displays with a 200x 200 mm-650 x 820 mm mounting pattern.

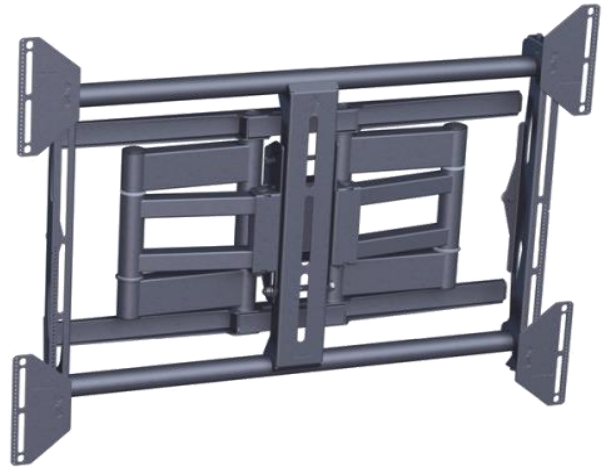
Enables fine-tune vertical adjustment, after

Features:

Supports up to 175 lbs.

Allows up to 45° of swivel, 10° of tilt and extends 3.2 to 16 in. from the wall.

Supports displays ranging from 47-70".



AM175-W upgrade allows for tilt range of 15 degrees. For smaller display mounts, ask about the AM50 and the AM80.

