

FIXED HEIGHT

SMARTTRAC (1 UNITS REQ)				
QTY	PER UNIT	PART	SIZE/MODEL #	FINISH
1	1	COUNTER TOP	3 BAY THERMOFOIL	SHARK GRAY
2	2	LEG	FIXED	
1	1	SUPPORT BAR	ST-L-104-A (61.843)	
1	1	POWER STRIP	PS-1615-ET	16 OUTLET 15 AMP
1	1	CABLE TROUGH	2X2	GRAY



170 RODEO DR EDGEWOOD, NY 11717
 PHONE: 631-293-4068 FAX: 631-293-4075

Client:
TBC CLEARANCE

Project:
ST-CT-NC

Drawing Title:
SHOP DRAWING

Design by: TBC
 Drawn by: AZ
 Date: 10/12/2018
 Scale: NTS
 Rack Rail Type: 10/32
 Plan Spec:
 Plan Spec:

ALL DESIGNS, PLANS, IDEAS & SPECIFICATIONS INDICATED IN THIS DRAWING REMAIN THE ENTIRE PROPERTY OF TBC CONSOLES INC. AND MAY NOT BE REPRODUCED OR USED IN ANY MANNER WITHOUT WRITTEN CONSENT.

CLIENT SIGNATURE APPROVES ALL SPECIFICATIONS INDICATED IN THIS DRAWING.

client: _____ date: _____

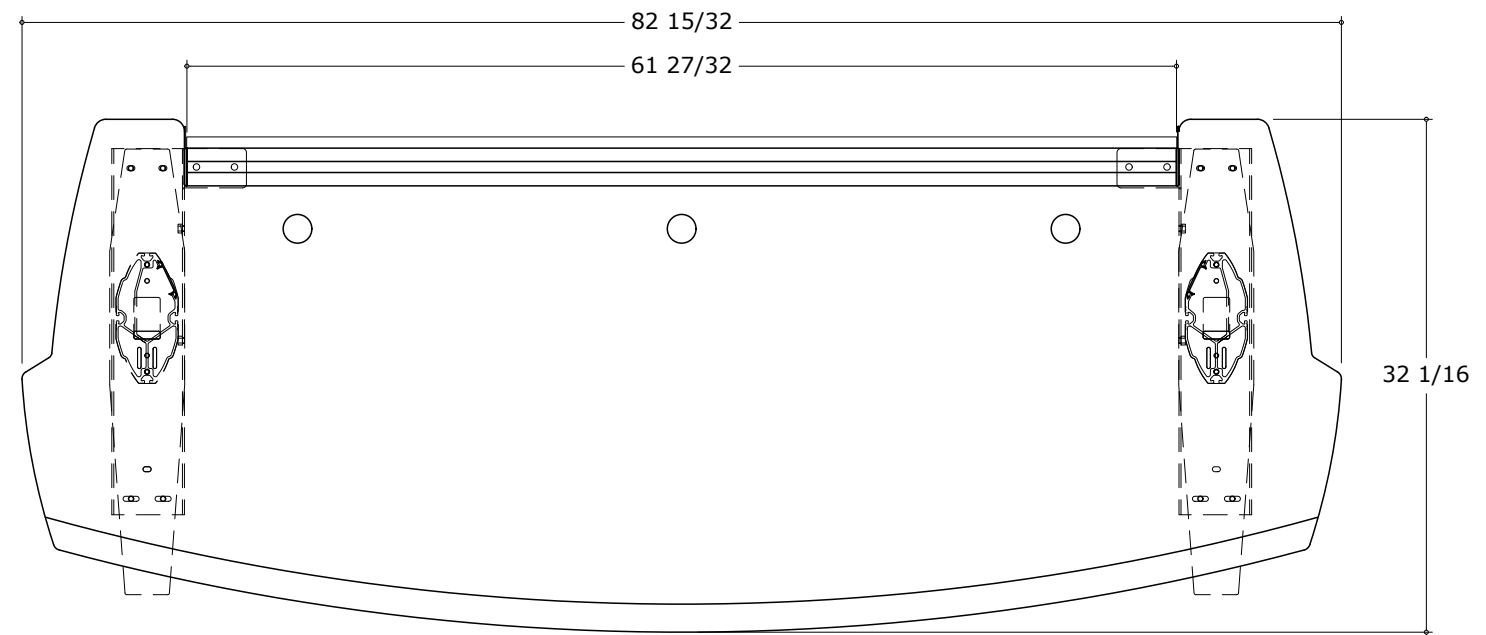
- DESIGN PROPOSAL DRAWINGS
- CONSTRUCTION DRAWINGS

Revisions:

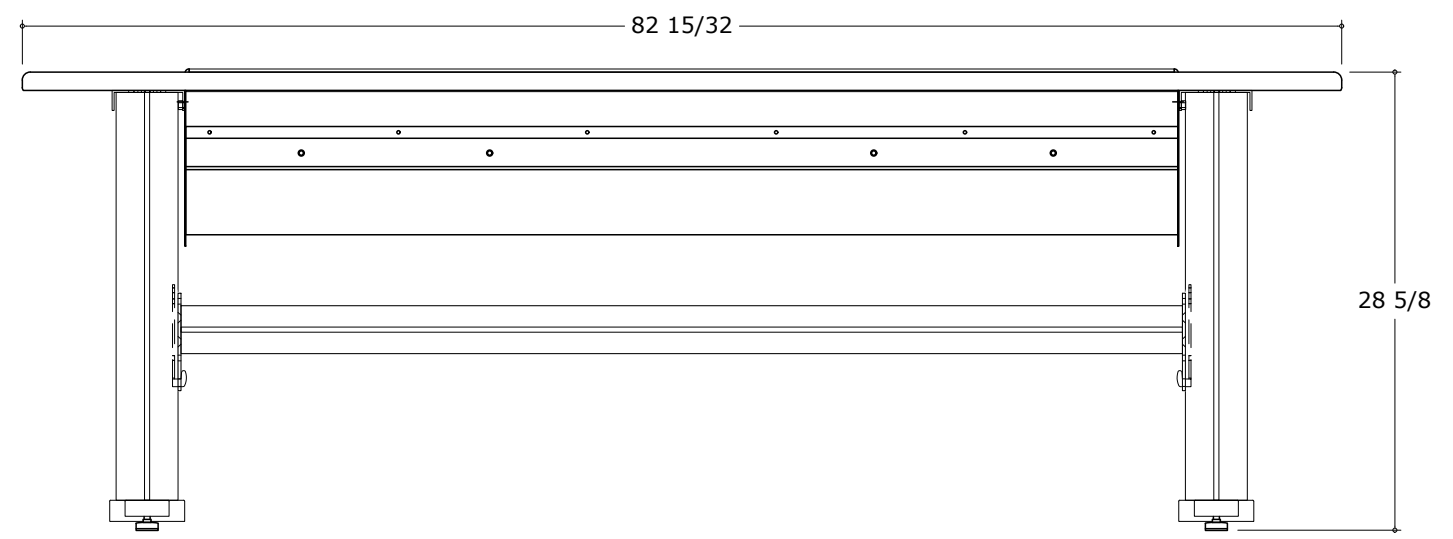
X	XX	XX

Filename: TBC-06809-18

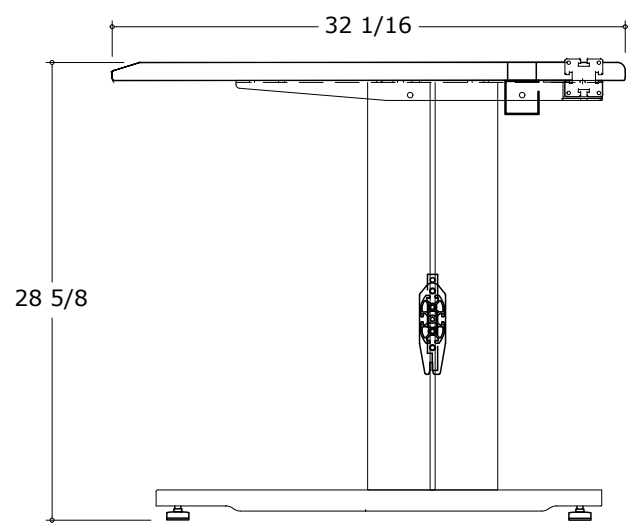
Drawing No:



PLAN VIEW



ELEVATION



SECTION