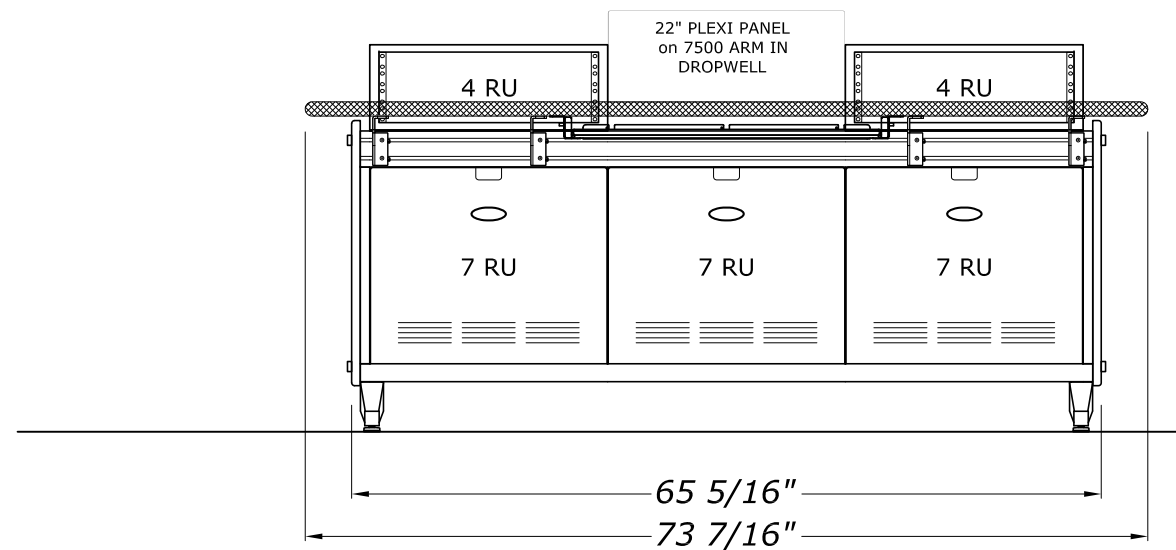
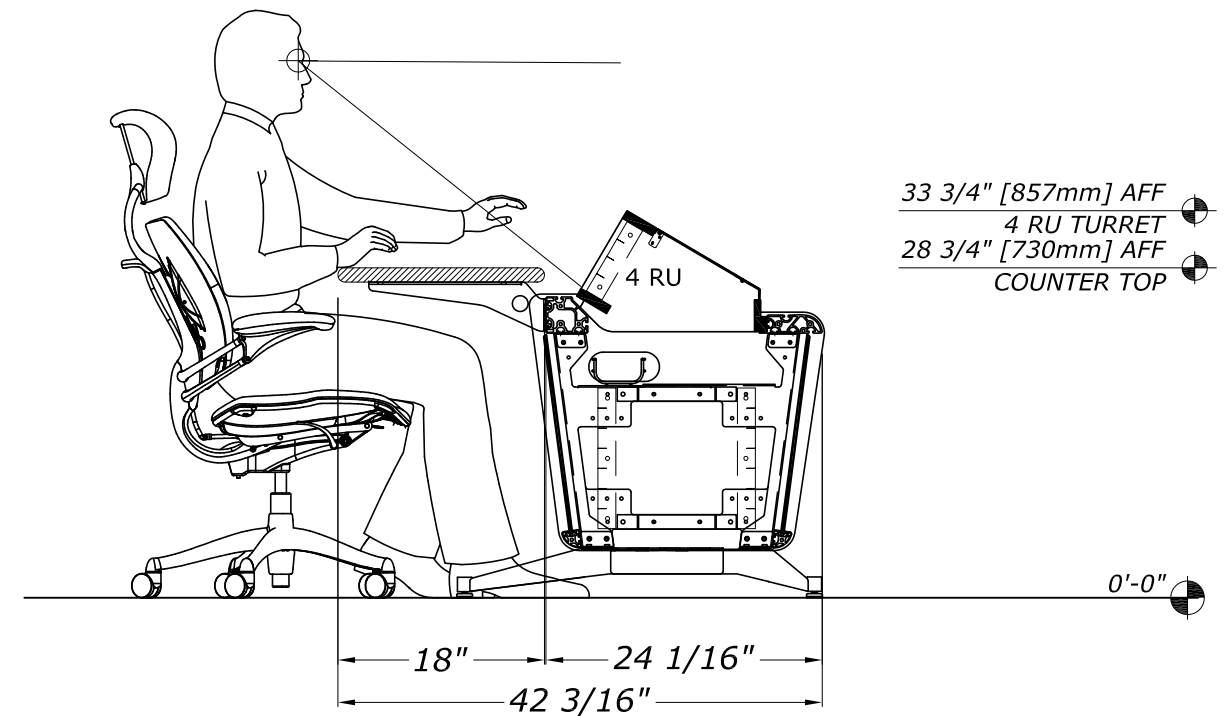


DROP WELL SECTION



ELEVATION



TURRET SECTION