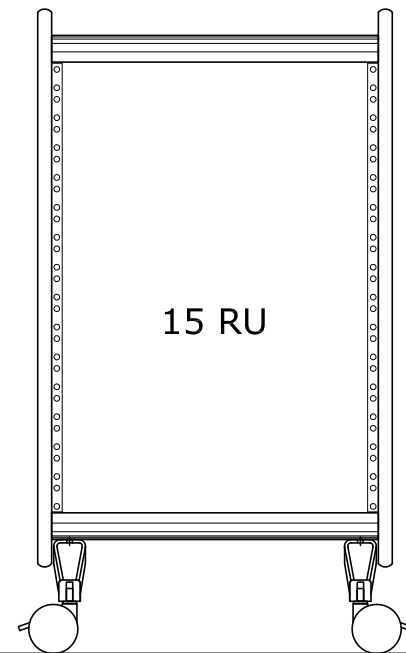
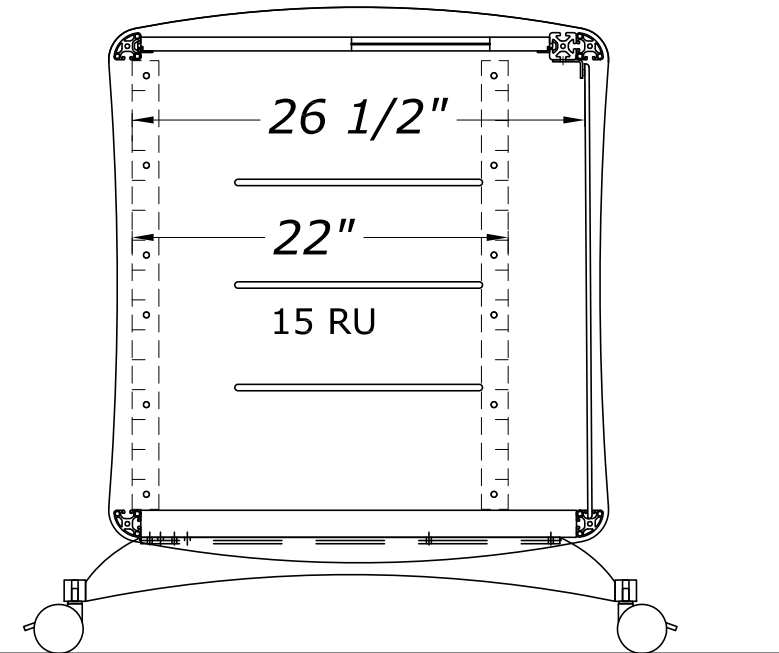


PLAN VIEW

**SMART CART
15 RU**



ELEVATION



SECTION