



TIME BASE CONSOLES

ST-RB2/3/4 Vertical Rack Box

The ST-RB vertical rack box is designed to house rack mount equipment up to 19" deep

Available in 2, 3, or 4RU

Front and rear rack rail threading available in 10-32, M5, M6, or cage nut style

Custom depths available

Compatible with any SmartTrac leg



FEATURES

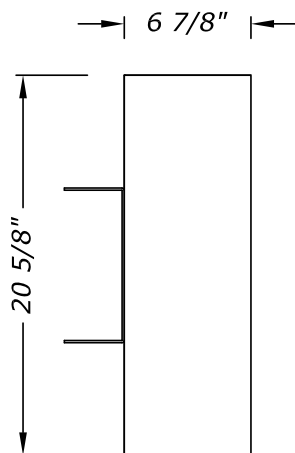
Supports up to 40 lbs.

Quick attach silver adapter plate for extrusion mounting included

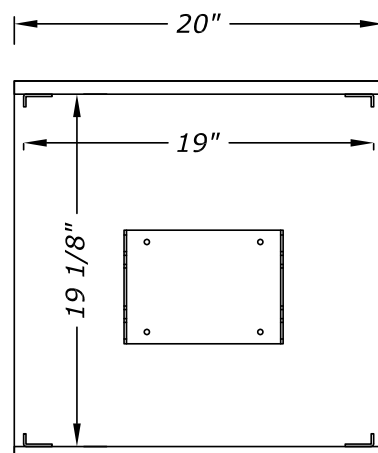
Available in black, white or grey



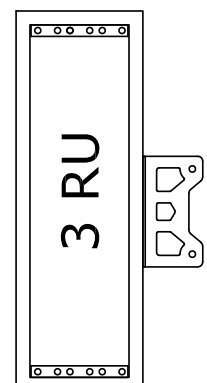
DIMENSIONS



PLAN



SECTION



ELEVATION