



Creating Space for New Technology





TABLE OF CONTENTS

OVERVIEW..... **PAGE 3**

FEATURES..... **PAGE 4-5**

ACCESSORIES **PAGE 6**

CONFIGURATIONS..... **PAGE 7-8**



Overview

TracWall is the best scalable system for creating flat panel monitor walls. Any combination of monitors or components such as speakers and clocks may be incorporated. Units may be free standing, wall mounted or include base cabinets. TracWall provides an adjustable, adaptable, upgradeable system designed to give you perfect sightlines – every time.

By utilizing a “gridwork” of structural I-slotted aluminum extrusions, many variations of monitor wall arrangements are possible...as well as future modifications and upgrades. Displays from 15” to 70” bolt directly to Trac Wall with a variety of fixed, tilt/swivel and articulating mounts. Configurable as freestanding or with minimal footprint (footless with floor and wall anchor brackets).

A height adjustable TracWall is also available, if you are interested please contact your TBC project manager.

Basic Horizontal Components:

TW-V2-6T

Handles 3 tiers of large monitors, 6 Trac horizontal, per linear ft., not shown

TW-V2-4T

Handles 2 tiers of large monitors, 4 Trac horizontal, per linear ft.

TW-V2-2T

Handles 1 tier of large monitors, 2 Trac horizontal, per linear ft.

TW-V2-1T

Handles 17”-24” monitors, 1 Trac horizontal, per linear ft.

Lower horizontal Trac is standard with all TracWall heights.

SM-WL

Speaker mount, up to 10 lbs (4.5 kg)

SM-WH

Speaker mount, up to 25 lbs [11.3 kg]

Basic Vertical Components:

TW-EL0509

End panel leg w/foot, 5’-9’ [1524-2743mm] ht, features an integral cable channel with snap-in cover and 2 part foot that allows assembly to be against wall.

TW-EL0912

End panel leg w/foot, 9’-12’ [2743-3658mm] ht. Same features as above item.

TW-RM

2RU Clock Box; includes rack rail and tilt swivel mount.



TW-IL0509

Intermediate leg w/foot, 5’-9’ [1524-2743mm] ht.

TW-IL0912

Intermediate leg w/foot, 9’-12’ [2743-3658mm] ht.



Features

Power + Cable Management

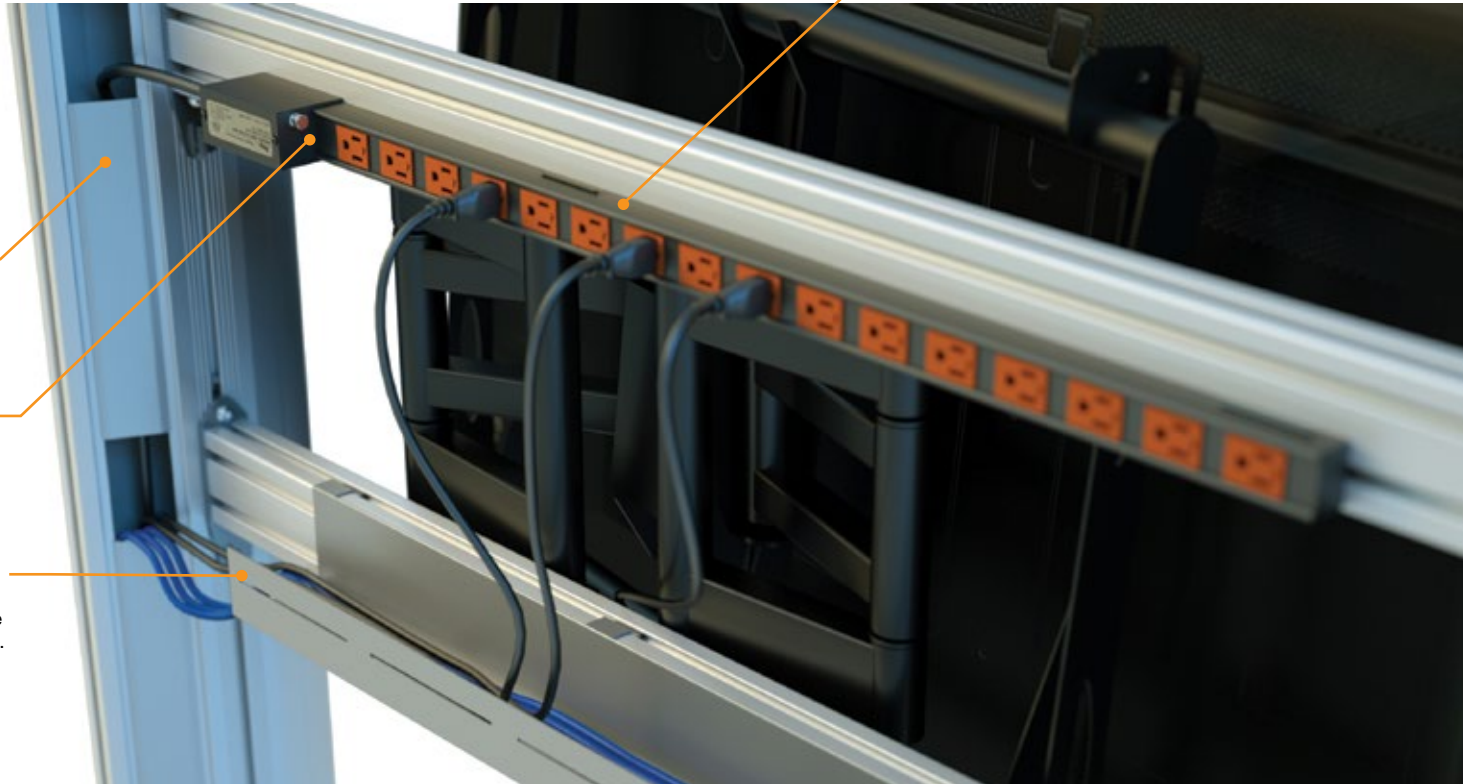
Fully adjustable, adaptive power strip, PDU, and cable management capabilities.

PS-1615-ET powerstrip shown, multiple configurations available

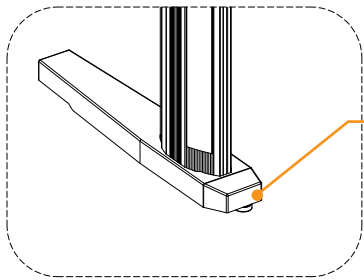
Integral wire channel in end leg extrusion with trimmable plastic snap-in cover, cable capacity of over 8 sq." [5,000 sq. mm].

Power strips and PDUs easily mount on tops, backs, and bottoms of horizontal extrusions to allow power to be where its required.

Steel wire trough section (powder coat finish) for cable management across the back of TracWall, comes in 4 sizes that best meet the project requirements.



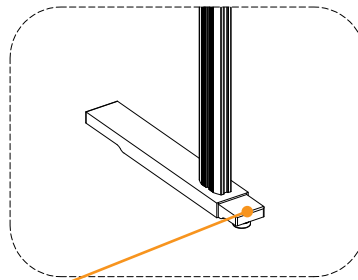
Standard End Leg & Foot



Standard end leg foot, 26 1/4" long x 4 5/8"w (widest pt.)

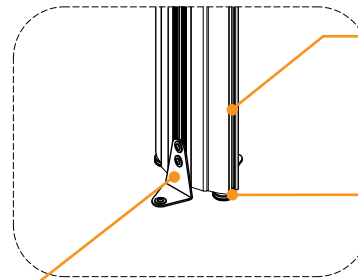
Integral wire channel in end leg extrusion with trimmable plastic snap-in cover.

Standard Intermediate Leg & Foot



Standard intermediate leg foot, 20 7/16" long x 3 "w (widest pt.)

"Footless" End Leg

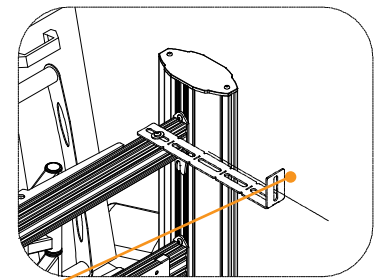


Requires steel wall anchors for secure attachment to walls.

Levelers, 2 per leg.

Steel floor anchors for secure attachment to floors, 2 per leg. Can also be used for ceiling attachment. Available for end and intermediate legs.

Wall Attachment "L" Bracket



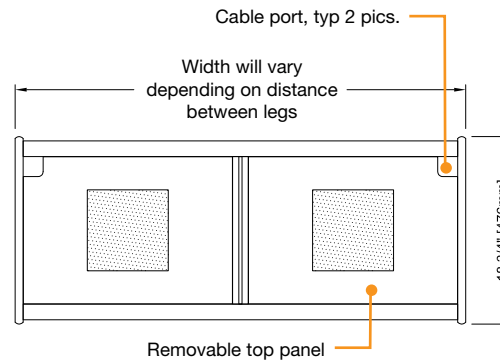
TW-SSA
Adjustable steel anchoring bracket, adjustable in 2.25" increments.



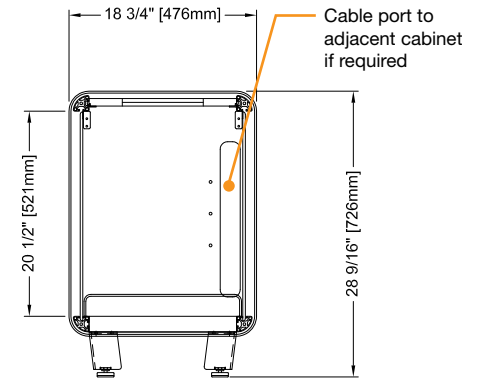
Features

Available Base Cabinets

Modular design with removable front access doors, internal cable management, and removable top panels with integral vents.



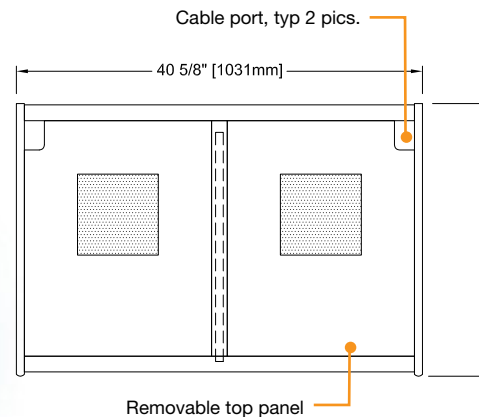
PLAN VIEW



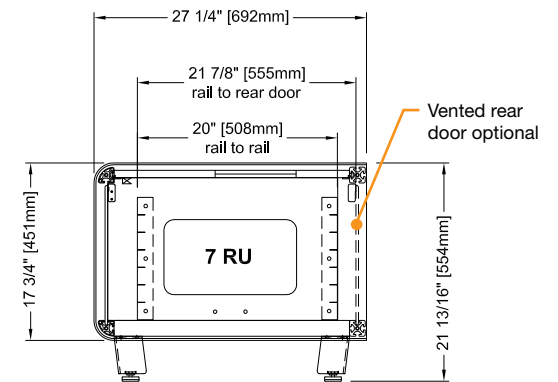
SECTION VIEW

TW-CB - CPU Base Cabinets

Modular design with removable front and rear access doors, internal cable management, and removable top panels with integral vents. Comes with standard vented bottom shelf unless ordered with option CPU pullout shelf.



PLAN VIEW



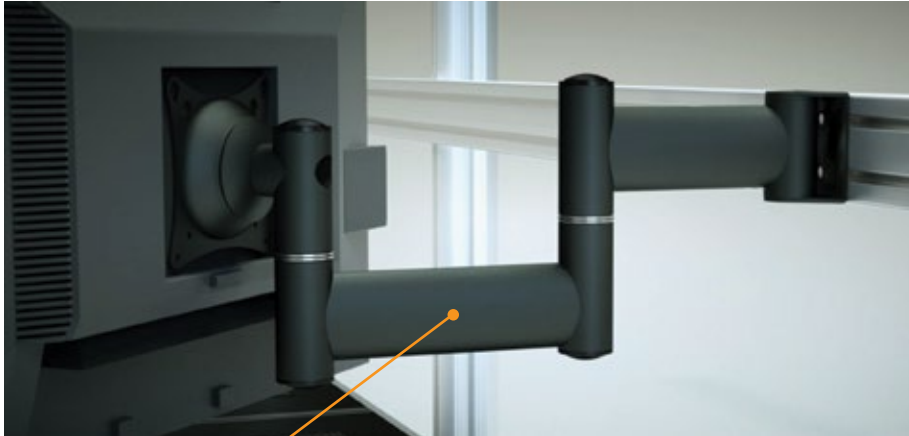
SECTION VIEW

TW-EB - Equipment Base Cabinets

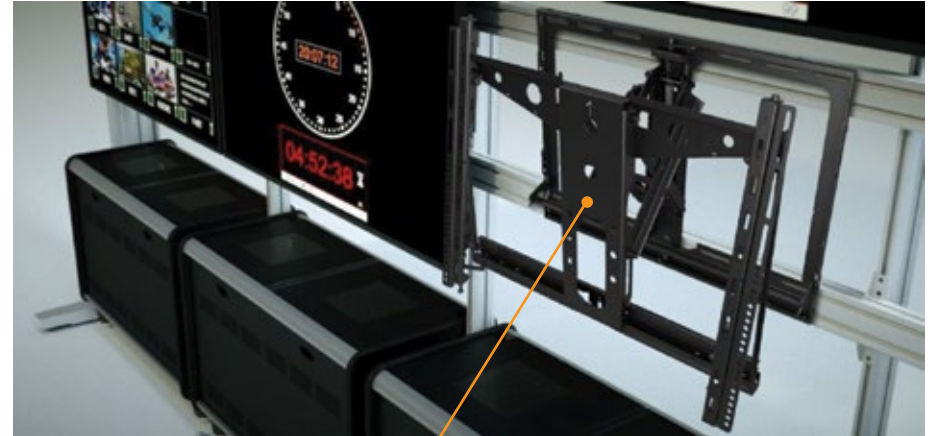
Modular design with removable front access doors, internal cable management, and removable top panels with integral vents. Comes standard with 7RU front & rear rack rail, vented rear door optional.



Accessories



AM50
The AM50 is a dual arm swingout mount for flat panel displays. For use with displays with a VESA mounting pattern of 75 x 75mm to 200 x 200mm. Enables fine tunes vertical adjustment.



AM-LMV
Scissor style design mount with compact mounting arms for flat panel displays*. Mounting pattern of 200 x 200mm (min) to 600 x 400mm (max).

*Customers seeking a mount with tilting capabilities should specify our AM175 mount.

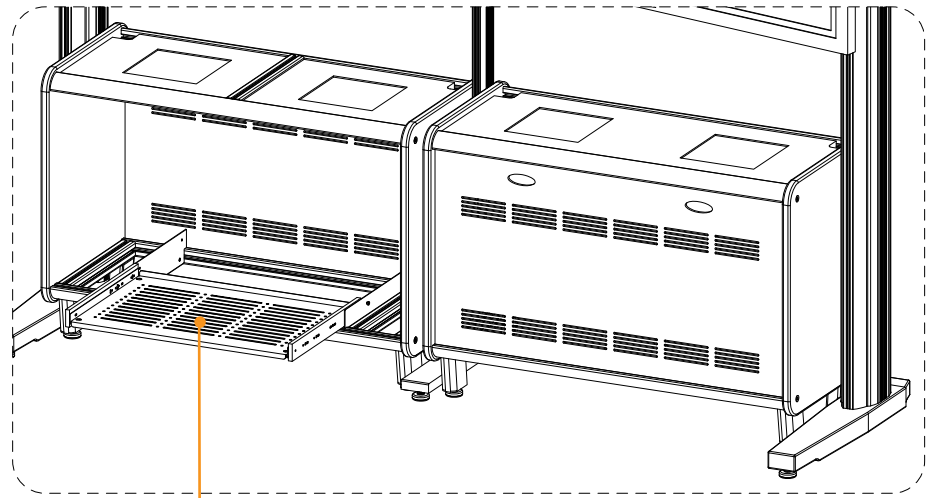
AM65
The AM65 is a dual arm ultra slim swingout mount for flat panel displays. For use with displays which have a 100 x 100 (min) - 430 - 400 mm (max) mounting pattern.

- Slim depth of only 2.2".
- Supports up to 65 lbs (29 kg).
- Allows for up to 45 degrees of swivel, 12 degrees of tilt, and extends 18" (457mm).
- Supports displays ranging from 37 - 47".



AM175
The AM175 is a scissor-style, swingout mount for flat panel displays. For use with displays with a 200x 200 mm-650 x 820 mm mounting pattern.

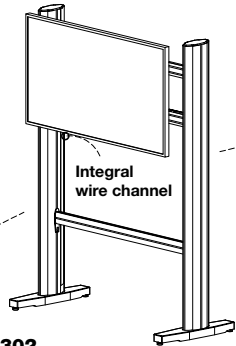
- Enables fine-tunes vertical adjustment.
- Supports up to 175 lbs.
- Allows up to 45° of swivel, 10° of tilt and extends 3.2 to 16 in. from the wall.
- Supports displays ranging from 47-70".



TW-PO-SHELF
Pull-out CPU shelf, vented, 25" [635mm] wide, powder coated steel

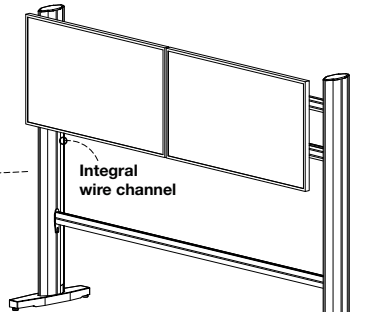


Configurations

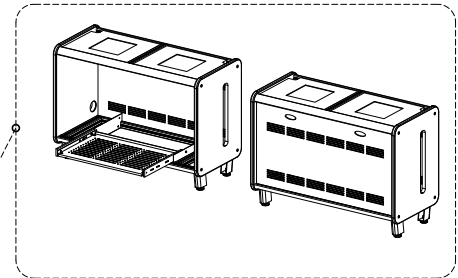


TW-302
TracWall Stand for displays 40" - 55".
Price includes full articulating tilting mount.
6'-4"H x 3'-4"W x 26"O [1930 x 1016 x 660mm]

TWE-302
Height adjustable, no integral wire channel in this version.

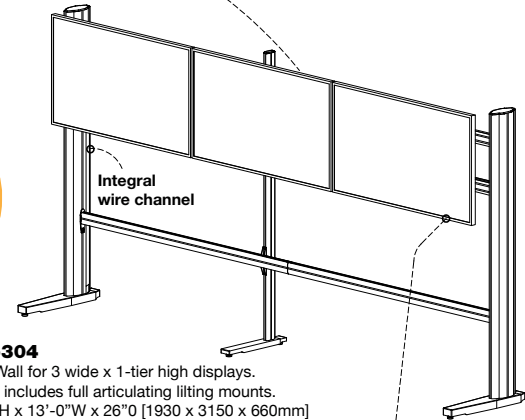


TW-303
TracWall for 2 wide x 1-tier high displays.
Price includes full articulating tilting mounts.
6'-4"H x 7'-0"W x 26"O (1930 x 2134 x 660mm)

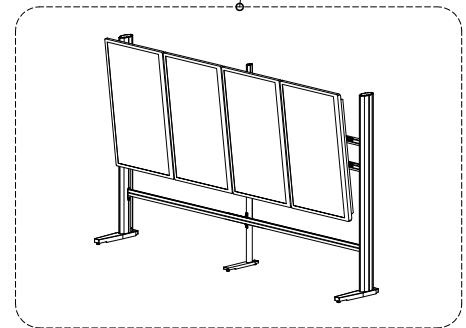


Base cabinets can be added to almost every TracWall for CPU or other equipment placement near the monitor wall assembly.

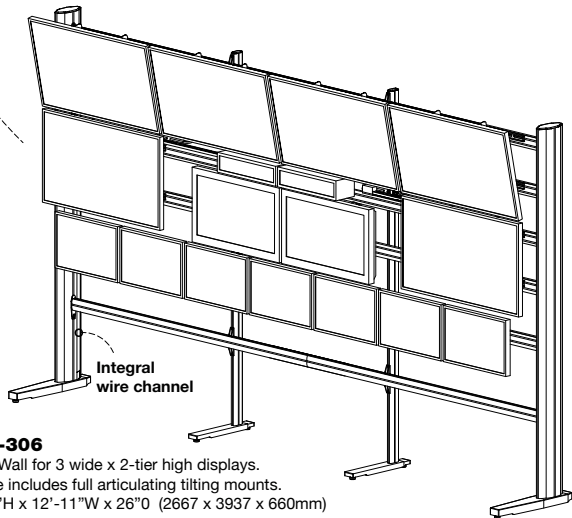
Unlimited Layout Possibilities
The configurations shown here are a small sampling of possible layouts with the TracWall v2 system, based on typical control room applications. We welcome the opportunity to work with you in tailoring a layout to your specific equipment needs and architectural considerations. Please see the [TracWall Gallery](#) on the TBC website for more ideas.



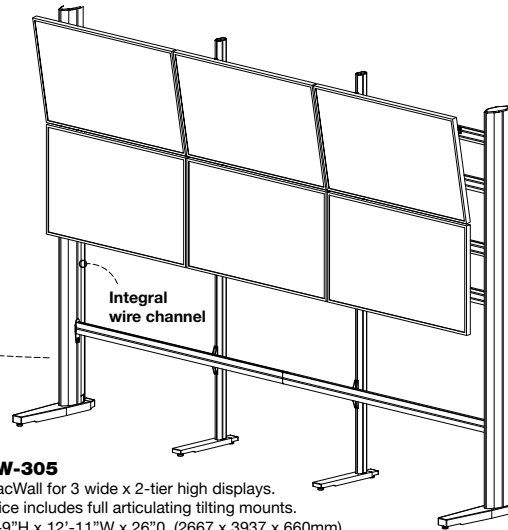
TW-304
TracWall for 3 wide x 1-tier high displays.
Price includes full articulating tilting mounts.
6'-4"H x 13'-0"W x 26"O [1930 x 3150 x 660mm]



Note: Portrait mounting of larger displays may require non-stocked mounts at additional cost.



TW-306
TracWall for 3 wide x 2-tier high displays.
Price includes full articulating tilting mounts.
8'-9"H x 12'-11"W x 26"O (2667 x 3937 x 660mm)



TW-305
TracWall for 3 wide x 2-tier high displays.
Price includes full articulating tilting mounts.
8'-9"H x 12'-11"W x 26"O (2667 x 3937 x 660mm)



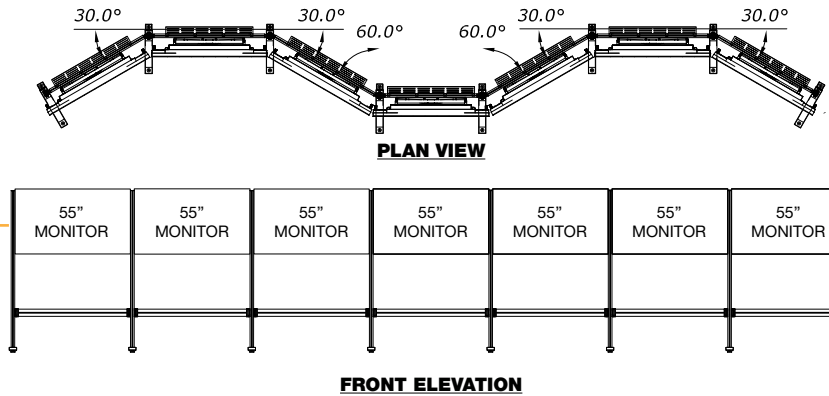
Configurations

Unlimited Layout Possibilities

The configurations shown here are a small sampling of possible layouts with the TracWall v2 system, based on typical control room applications. We welcome the opportunity to work with you in tailoring a layout to your specific equipment needs and architectural considerations. Please see the TracWall Gallery on the TBC website for more ideas.

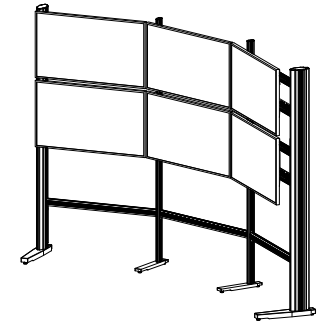
TracWall Concept TW-AA

8 - TW-IL509 leg w/foot, 7 single tier 55" monitors (w/AM175 monitor mounts), and 42 - angled transitions. Designed for a console with two main operators and a central observer position.



TracWall Concept TW-AB

2 - TW-EL509 leg w/foot, 2 - TW-IL509 leg w/foot 3 single tier 55" monitors (w/AM175 monitor mounts). Designed for a 2-3 operator control room.



TracWall Concept TW-AC

2 - TW-EL509 leg w/foot, 9 - TW-IL509 leg w/foot, 10 triple tier 55" monitors (w/AM175 monitor mounts), 120 - angled transitions, and 10 - TW-EB base equipment cabinets.

