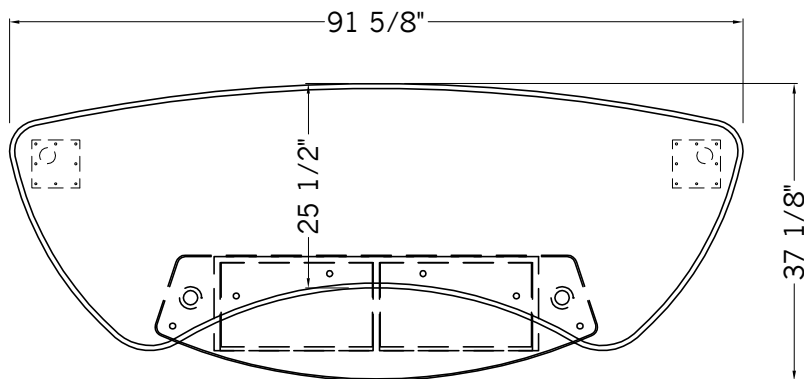
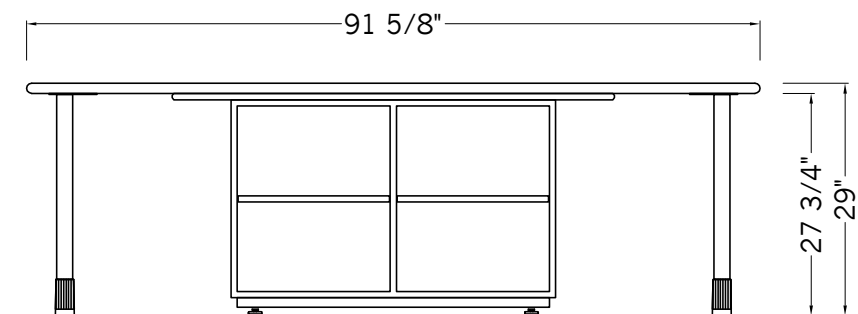


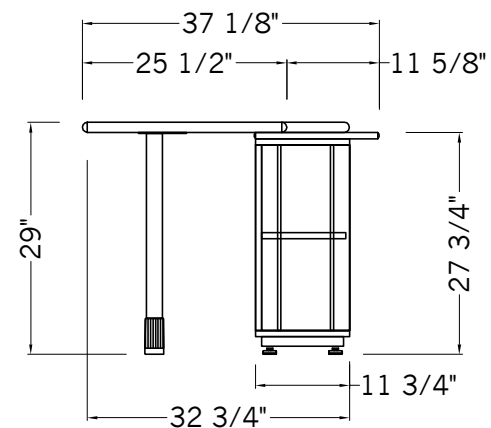
Technical Drawing 1 of 1  
Model# **CT-XK**  
**Crossfire Client Table**  
*Revised: 24 March 05*  
not to scale



PLAN VIEW



ELEVATION



SECTION

DO NOT SCALE