



SM-C Mounted Speaker Arm

note: The SM-C can also directly mount phones that include VESA mounting interface

Product Description:

The SM-C is an adjustable desktop or Trac mountable speaker arm with a swiveling head that adjusts from 0 to 90°.

The arm can fold to fit in about 2" of space and extend out over 13".

Unique cable management allows cables to be tucked under the forearm and main arm to keep the desktop free of cables.

Features:

Low profile arm accommodates up to 20 lbs.

Arm rotates 360° at 3 joints.

Platform/VESA plate tilt mechanism can tilt over 100°.

Adjustable tension at all joints.

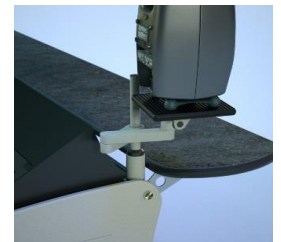
VESA-speaker compatible



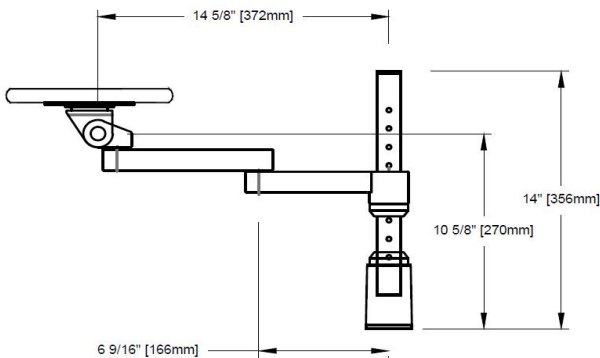
Typical Applications:

SmartTRAC: *Trac or desktop mountable*

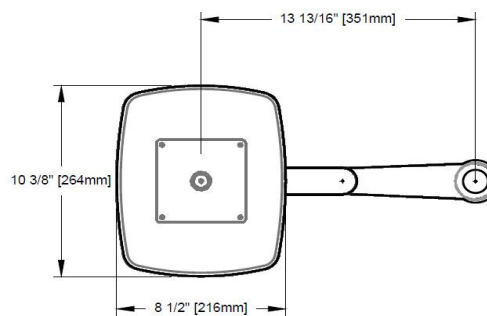
IntelliTRAC: *front trac mounted direct or speaker platform*



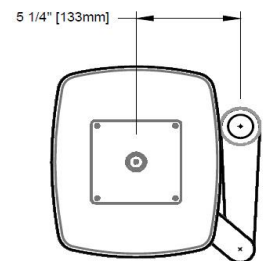
Note: SM-C can be mounted on any desktop up to 2" thick



SIDE VIEW



PLAN VIEW - EXTENDED



PLAN VIEW - FOLDED