



FP-9226 Dual Panel Display Arm

Product Description:

The FP-9226 is a Post type LCD mount with 2 side-by-side folding arms that adjust vertically up and down the post in 1" increments.

The arm can fold to fit in about 3" of space and extend out over 12".

Unique cable management allows cables to be tucked under the forearm and main arm and down the post.

Features:

Standard 12" pole accommodates 15-19" LCDs.

Arm rotates 360° at 3 joints.

Monitor tilt mechanism can tilt over 200°.

Adjustable tension at all joints - ideal for touch screen applications.

VESA-monitor compatible

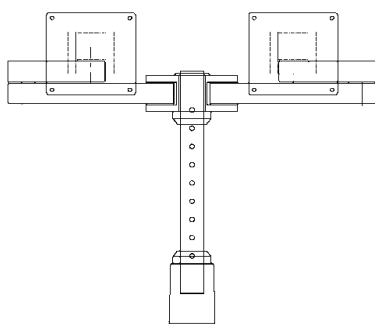


Typical Applications:

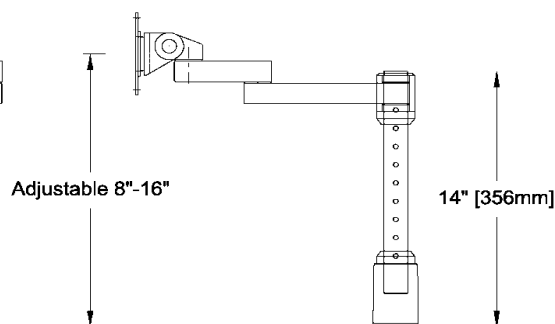
SmartTRAC: flat panels

IntelliTRAC: front trac mounted LCDs

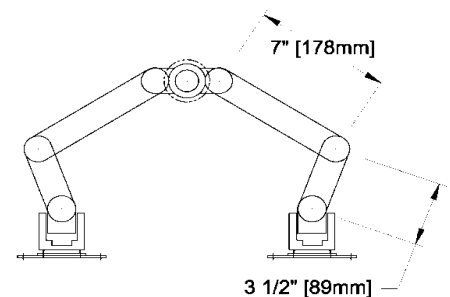
Also, the FP-9226 can be mounted on any desktop up to 2" thick



Front View



Side View



Top View - Extended