



FP-9222 Flat Panel Display Arm

call for price

note: The S-LCD-A shown in the SmartTrac Product Guide is identical to the FP-9222, all below specs apply.

Product Description:

The FP-9222 is a Post type LCD mount with a folding arm that adjusts vertically up and down the post in 1" increments.

The arm can fold to fit in about 5" of space and extend out over 16".

Unique cable management allows cables to be tucked under the forearm and main arm and down the post.

Features:

Standard 12" pole accomodates 15-23" LCDs.

Arm rotates 360° at 3 joints.

Monitor tilt mechanism can tilt over 200°.

Adjustable tension at all joints - ideal for touch screen applications.

VESA-monitor compatible

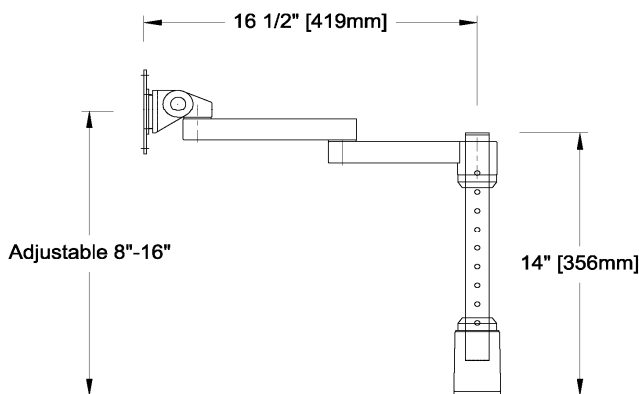


Typical Applications:

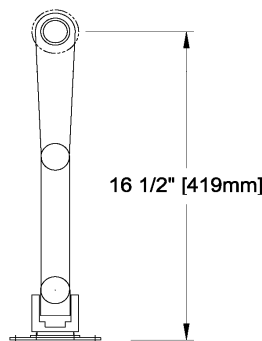
SmartTRAC: flat panels, speakers

IntelliTRAC: front trac mounted LCDs, phone platforms

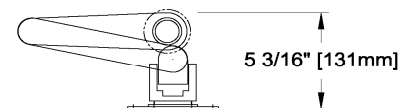
Also, the FP-9222 can be mounted on any desktop up to 2" thick



Side View



Top View - Extended



top View - Folded