



AC-PD-ALU Flip-Up Power + Data Module

\$379 list

Product Description and Features:

(2) Electrical outlets rated 15A/125VAC, and (2) Category 5e data modules.

Additional inserts available: Cat6, Passive USB, VGA 15 pin, HDMI, RJ11.

Overall: 8 5/16" x 4 7/16", Cut Out: 8" x 4"

6 ft. electrical cord.

Data modules are unwired.

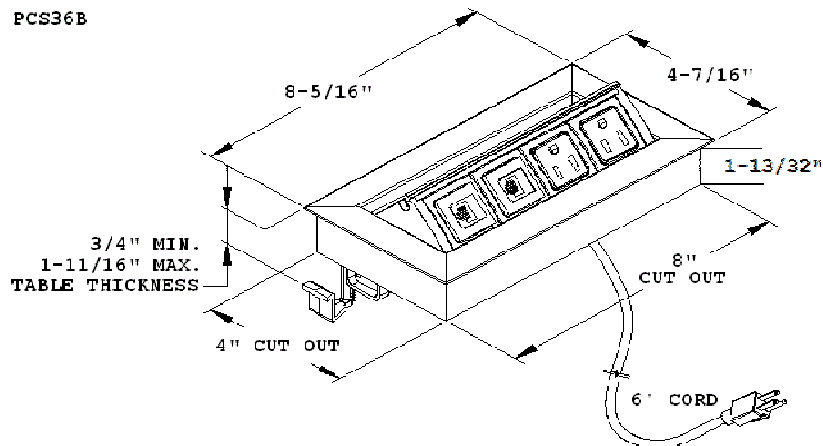
Finish: Satin Aluminum.



open position (flipped-up)



closed position (flat)



All dimensions have a 1/32" tolerance unless otherwise specified. We do not recommend drilling or cutting any holes before receiving a product or a product sample.