



CONSOLES

170 RODEO DRIVE EDGEWOOD, NY 11717
PHONE: 631-293-4068 FAX: 631-293-4075

Client:

NAB 2017

Project:

BOOTH
C9015

Drawing Title:

ControlTrac LT

Design by: TBC

Drawn by: AD

Date: 2/10/17

Scale: Not to scale

Rack Rail Type: 10/32

Plan Spec: SEE NOTES

Plan Spec:

ALL DESIGNS, PLANS, IDEAS & SPECIFICATIONS INDICATED IN THIS DRAWING REMAIN THE ENTIRE PROPERTY OF TBC CONSOLES INC. AND MAY NOT BE REPRODUCED OR USED IN ANY MANNER WITHOUT WRITTEN CONSENT.

CLIENT SIGNATURE APPROVES ALL SPECIFICATIONS INDICATED IN THIS DRAWING.

client: _____ date: _____

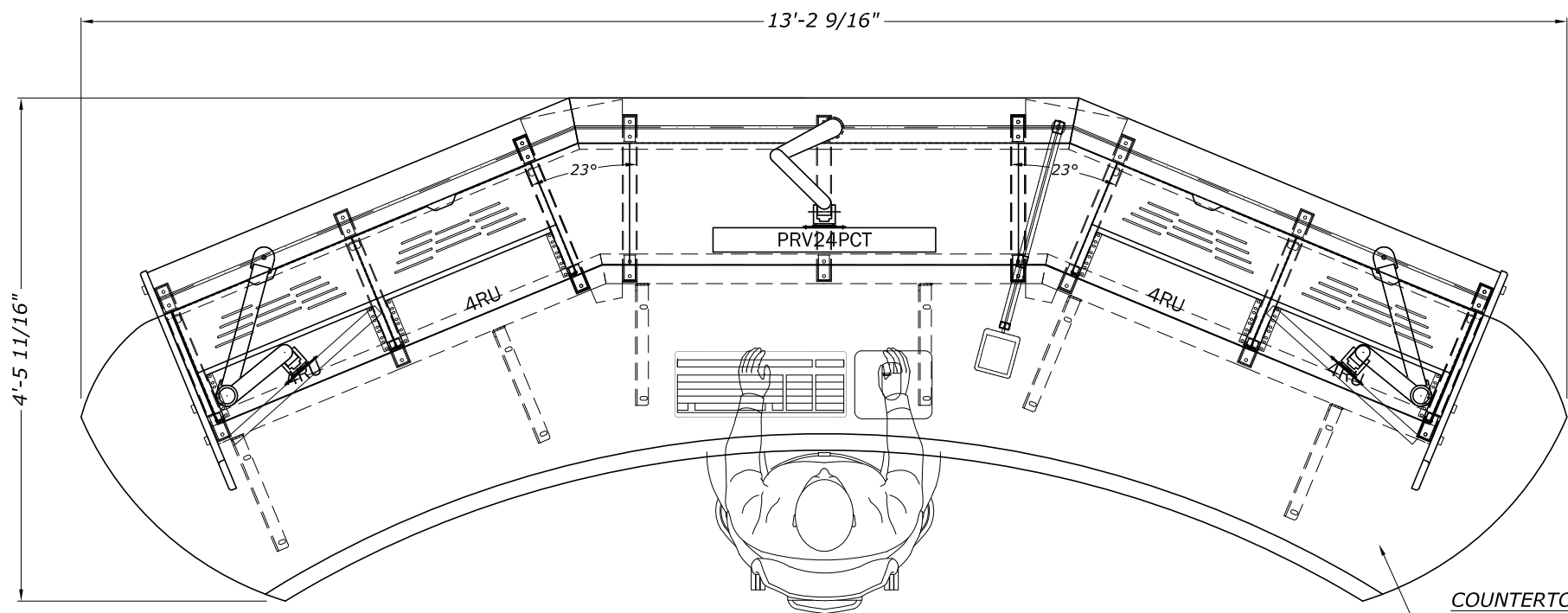
- DESIGN PROPOSAL DRAWINGS
- CONSTRUCTION DRAWINGS

Revisions:	

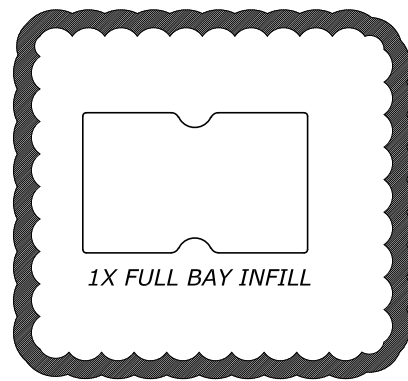
Filename: NAB-05337-17R1

Drawing No:

DP-105



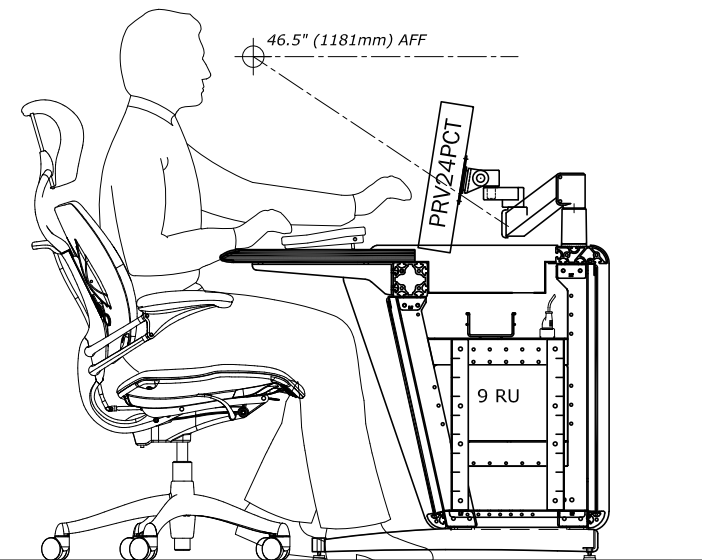
PLAN



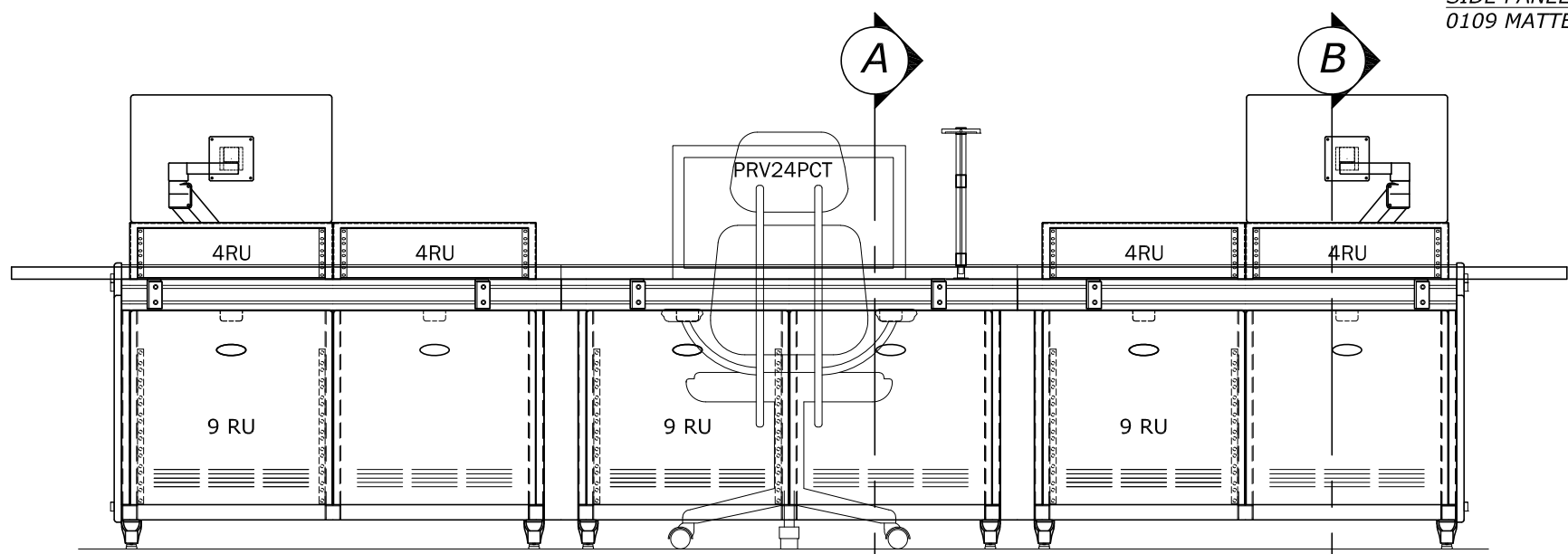
1X FULL BAY INFILL

COUNTERTOP FINISH:
LAVA LINOLEUM WITH
BLACK PURETEC EDGE
MT5 - NOTCH

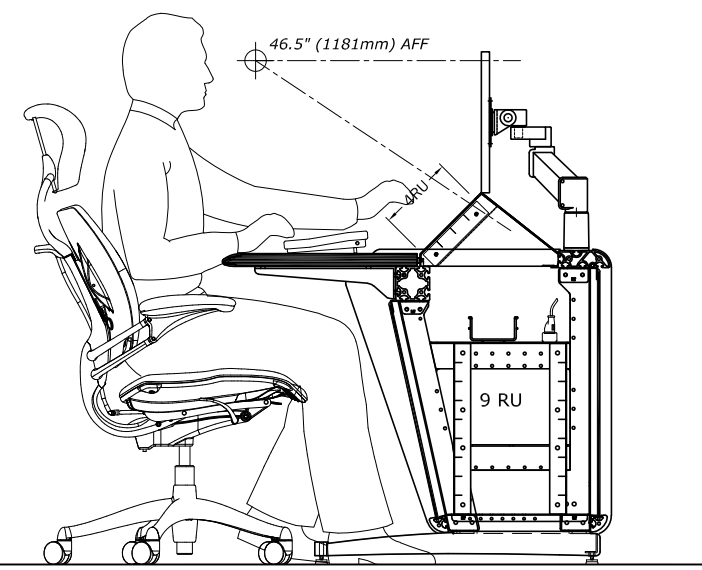
SIDE PANELS:
0109 MATTE BLACK THRMFOIL



SECTION A



FRONT ELEVATION



SECTION B